
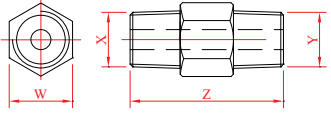

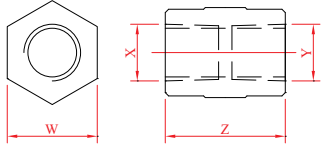

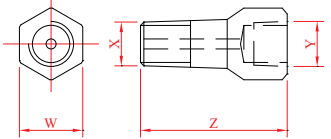

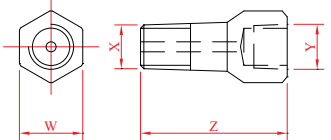

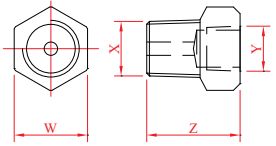

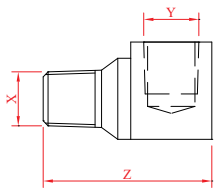

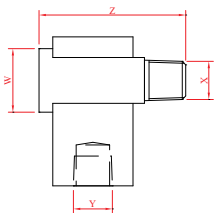

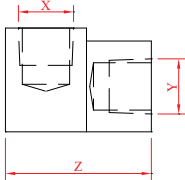

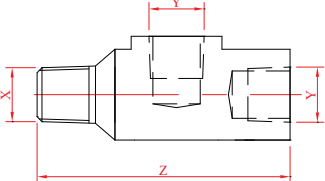

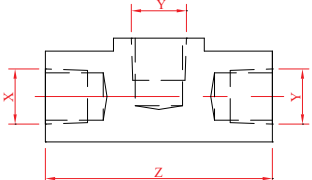

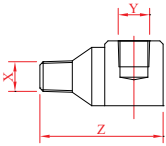

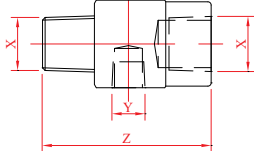

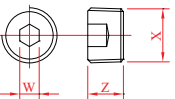


CONNECTION EQUIPMENT BAĞLANTI EKİPMANLARI

700BAR *h.*



Model		Dimensions / Ölçüler				
		X [inch]	Y [inch]	Z [mm]	W [mm]	
EN-1414		1/4 NPT	1/4 NPT	37	17	
EN-1438		1/4 NPT	3/8 NPT	45	19	
ENK-3838		3/8 NPT	3/8 NPT	40	19	
EN-3838		3/8 NPT	3/8 NPT	50	19	
DM-1414		1/4 NPT	1/4 NPT	30	22	
DM-3838		3/8 NPT	3/8 NPT	36	27	
DM-1438		1/4 NPT	3/8 NPT	32	27	
ED-1414		1/4 NPT	1/4 R	44	19	
ED-1438		1/4 NPT	3/8 NPT	38	27	
ED-1412		1/4 NPT	1/2 R	60	27	
EDP-1414		1/4 NPT	1/4 NPT	44	19	
EDP-1412		1/4 NPT	1/2 NPT	60	27	
DE-1414		1/4 R	1/4 NPT	32	22	
DD-3814		3/8 NPT	1/4 NPT	28	22	

Model		Dimensions / Ölçüler				
		X [inch]	Y [inch]	Z [mm]	W [mm]	
LN-3838		3/8 NPT	3/8 NPT	52	-	
LDN-3838		3/8 NPT	3/8 NPT	60	24	
LD-3838		3/8 NPT	3/8 NPT	48	-	
TE-3838		3/8 NPT	3/8 NPT	78	-	
TED-3838		3/8 NPT	3/8 NPT	70	-	
EVA-01		1/8 NPT	1/8 NPT	38	-	
EVA-02		3/8 NPT	1/8 NPT	52	-	
T-18		1/8 NPT	-	10	4	
T-14		1/4 NPT	-	11	5	
T-38		3/8 NPT	-	11	6	
T-12		1/2 NPT	-	16	8	